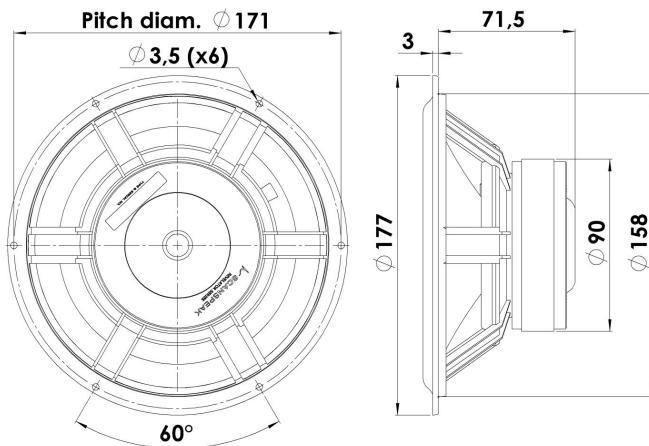




## MIDWOOFER

## 18W/8535-00

The Symmetric Drive (SD-1) concept with copper in the magnet system was invented by Scan-Speak. High-quality magnet system design has thus been a key feature of Scan-Speak design since the companys inception. The Classic woofers are highly praised, and are used in some of the worlds most exceptional high-end Loudspeakers. Some feature Kevlar cones, others have the innovative Carbon fibre paper cones.



### KEY FEATURES:

- Patented Symmetrical Drive Motor Design
- Air Dried Paper/Carbon Fibre Cone
- 38mm Voice Coil
- Low-Loss linear suspension
- Low Damping SBR Rubber Surround

#### T-S Parameters

Resonance frequency [fs]	26 Hz
Mechanical Q factor [Qms]	2.50
Electrical Q factor [Qes]	0.45
Total Q factor [Qts]	0.38
Force factor [Bl]	5.7 Tm
Mechanical resistance [Rms]	1.01 kg/s
Moving mass [Mms]	15.5 g
Compliance [Cms]	2.42 mm/N
Effective diaph. diameter [D]	136 mm
Effective piston area [Sd]	145 cm <sup>2</sup>
Equivalent volume [Vas]	71.2 l
Sensitivity (2.83V/1m)	86.5 dB
Ratio Bl/√Re	2.37 N/√W
Ratio fs/Qts	68 Hz

#### Notes:

IEC specs. refer to IEC 60268-5 third edition.  
All Scan-Speak products are RoHS compliant.  
Data are subject to change without notice.  
Datasheet updated: January 30, 2013.

#### Electrical Data

Nominal impedance [Zn]	8 Ω
Minimum impedance [Zmin]	6.8 Ω
Maximum impedance [Zo]	38.0 Ω
DC resistance [Re]	5.8 Ω
Voice coil inductance [Le]	0.3 mH

#### Power Handling

100h RMS noise test (IEC 17.1)	70 W
Long-term max power (IEC 17.3)	150 W

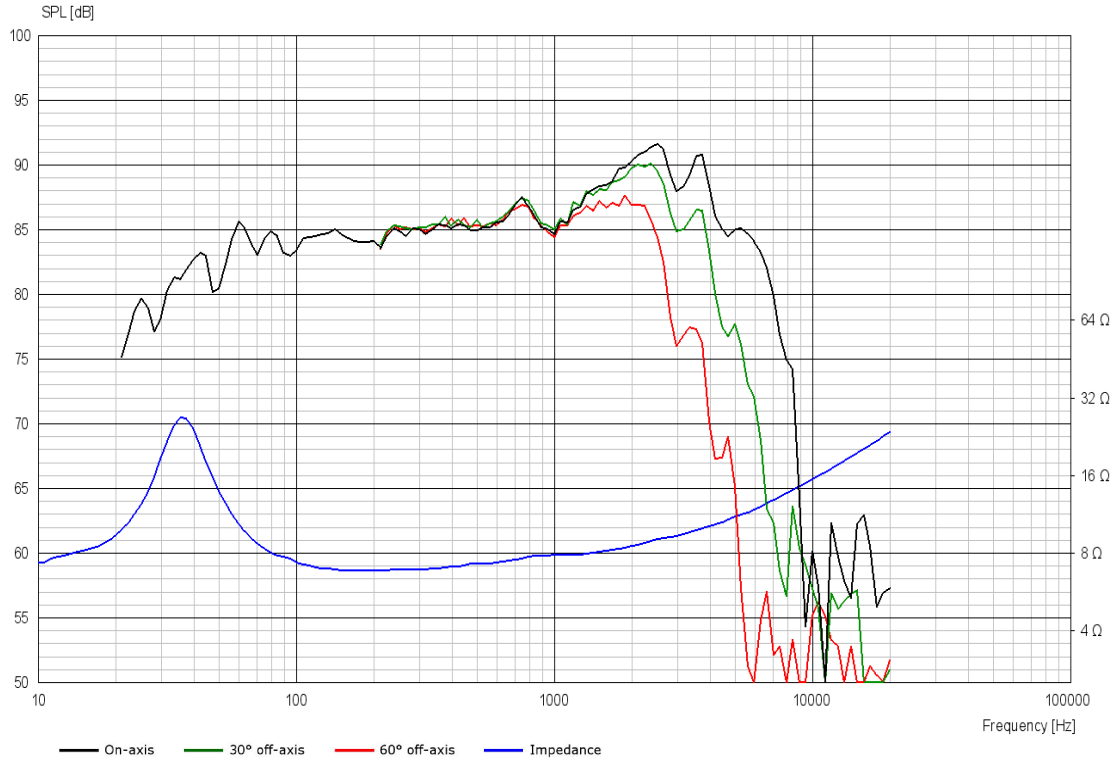
#### Voice Coil & Magnet Data

Voice coil diameter	38 mm
Voice coil height	15 mm
Voice coil layers	2
Height of gap	5 mm
Linear excursion	± 5 mm
Max mech. excursion	± 10 mm
Unit weight	1.1 kg

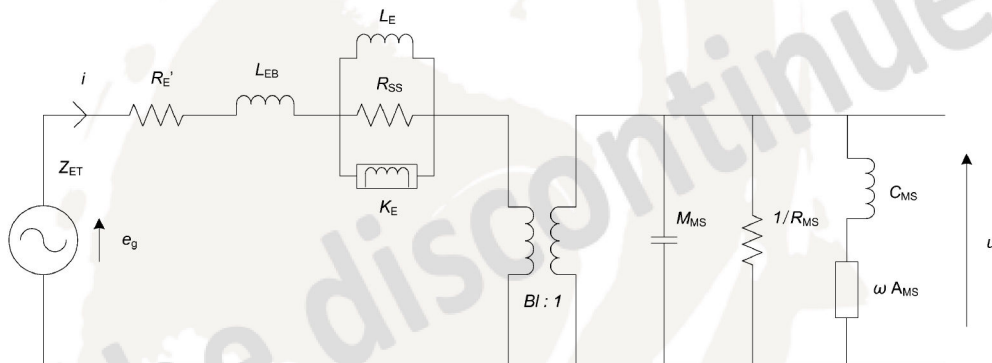


# MIDWOOFER

# 18W/8535-00



## Advanced Parameters (Preliminary)



### Electrical data

Resistance [Re']	5.82 Ω
Free inductance [Leb]	0.112 mH
Bound inductance [Le]	2.26 mH
Semi-inductance [Ke]	0.030 SH
Shunt resistance [Rss]	24 Ω

### Mechanical Data

Force Factor [Bl]	5.81 Tm
Moving mass [Mms]	16.2 g
Compliance [Cms]	2.48 mm/N
Mechanical resistance [Rms]	1.24 kg/s
Admittance [Ams]	0.29 mm/N