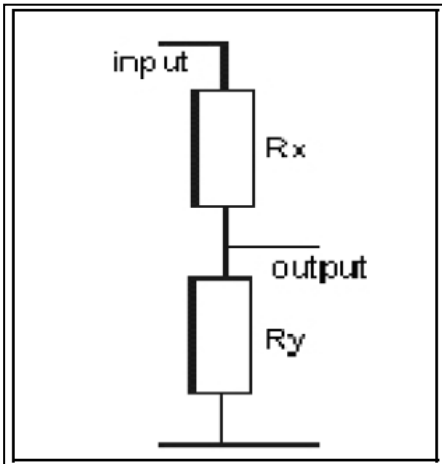


**Hificollective`s Glasshouse resistors values for our 34 step series/shunt type of stepped attenuators, - 10K, 20K, 50K,100K & 250K**



Please note that ideal resistor values are listed. So when we select the resistors we select the nearest value. The small adjustments in resistor values are not sonically noticeable. To be used with the Seiden 2 pole 34 way switch.

HiFiCollective		
10K Shunt Network 34-Step		
Input Resistor: (Rx)		10K
Step	Resistor (Ry)	Attenuation (dB)
1	0R	Infinity
2	2R	75
3	3R	72
4	4R	69
5	5R	66
6	7R	63
7	10R	60
8	14R	57
9	20R	54
10	28R	51
11	40R	48
12	57R	45
13	80R	42
14	101R	40
15	127R	38
16	161R	36
17	204R	34
18	258R	32
19	327R	30
20	415R	28
21	528R	26
22	673R	24
23	863R	22
24	1K1	20
25	1K4	18
26	1K9	16
27	2K5	14
28	3K4	12
29	4K6	10
30	6K6	8
31	10K	6
32	17K	4
33	39K	2
34	Infinity	0

HiFiCollective		
20K Shunt Network 34-Step		
Input Resistor: (Rx)		20K
Step	Resistor (Ry)	Attenuation (dB)
1	0R	Infinity
2	4R	75
3	5R	72
4	7R	69
5	10R	66
6	14R	63
7	20R	60
8	28R	57
9	40R	54
10	57R	51
11	80R	48
12	113R	45
13	160R	42
14	202R	40
15	255R	38
16	322R	36
17	407R	34
18	515R	32
19	653R	30
20	829R	28
21	1K	26
22	1K3	24
23	1K7	22
24	2K2	20
25	2K9	18
26	3K8	16
27	5K	14
28	6K7	12
29	9K3	10
30	13K	8
31	20K	6
32	34K	4
33	77K	2
34	Infinity	0

HiFiCollective		
25K Shunt Network 34-Step		
Input Resistor: (Rx)		25K
Step	Resistor	Attenuation (dB)
1	0R	Infinity
2	4R	75
3	6R	72
4	9R	69
5	13R	66
6	18R	63
7	25R	60
8	35R	57
9	50R	54
10	71R	51
11	100R	48
12	141R	45
13	200R	42
14	253R	40
15	319R	38
16	403R	36
17	509R	34
18	644R	32
19	816R	30
20	1K	28
21	1K3	26
22	1K7	24
23	2K2	22
24	2K8	20
25	3K6	18
26	4K7	16
27	6K2	14
28	8K4	12
29	12K	10
30	17K	8
31	25K	6
32	43K	4
33	97K	2
34	Infinity	0

HiFiCollective		
50K Shunt Network 34-Step		
Input Resistor: (Rx)		50K
Step	Resistor	Attenuation (dB)
1	0R	Infinity
2	9R	75
3	13R	72
4	18R	69
5	25R	66
6	35R	63
7	50R	60
8	71R	57
9	100R	54
10	141R	51
11	200R	48
12	283R	45
13	400R	42
14	505R	40
15	637R	38
16	805R	36
17	1K	34
18	1K3	32
19	1K6	30
20	2K	28
21	2K6	26
22	3K4	24
23	4K3	22
24	5K6	20
25	7K2	18
26	9K4	16
27	12K	14
28	17K	12
29	23K	10
30	33K	8
31	50K	6
32	85K	4
33	193K	2
34	Infinity	0

HiFiCollective		
100K Shunt Network 34-Step		
Input Resistor: (Rx)		100K
Step	Resistor	Attenuation (dB)
1	0R	Infinity
2	18R	75
3	25R	72
4	35R	69
5	50R	66
6	71R	63
7	100R	60
8	141R	57
9	200R	54
10	283R	51
11	400R	48
12	566R	45
13	801R	42
14	1K	40
15	1K3	38
16	1K6	36
17	2K	34
18	2K6	32
19	3K3	30
20	4K1	28
21	5K3	26
22	6K7	24
23	8K6	22
24	11K	20
25	14K	18
26	19K	16
27	25K	14
28	34K	12
29	46K	10
30	66K	8
31	100K	6
32	170K	4
33	386K	2
34	Infinity	0

HiFiCollective		
250K Shunt Network 34-Step		
Input Resistor: (Rx)		250K
Step	Resistor	Attenuation (dB)
1	0R	Infinity
2	44R	75
3	63R	72
4	89R	69
5	125R	66
6	177R	63
7	250R	60
8	354R	57
9	500R	54
10	707R	51
11	1K	48
12	1K4	45
13	2K5	42
14	2K5	40
15	3K2	38
16	4K6	36
17	5K1	34
18	6K4	32
19	8K2	30
20	10K	28
21	13K	26
22	17K	24
23	22K	22
24	28K	20
25	36K	18
26	47K	16
27	62K	14
28	84K	12
29	116K	10
30	165K	8
31	251K	6
32	427K	4
33	966K	2
34	Infinity	0