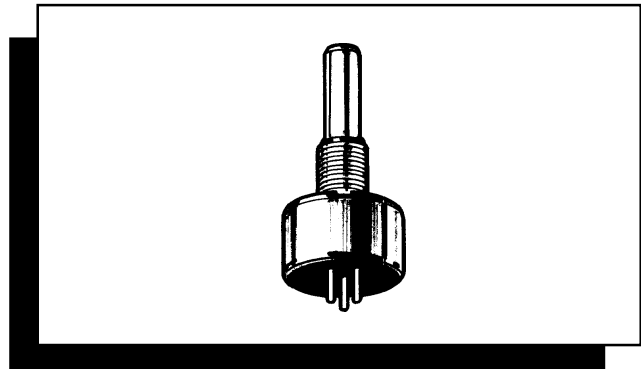


MEGGITT CITEC
POTENTIOMETERS
INDUCTORS,
SURFACE MOUNT DEVICES
SWITCHES, NETWORKS
ENCODERS, SENSORS

Spindle Operated Potentiometers

TYPE M SERIES



This is one of Meggitt Citec's most popular ranges and is available with cermet or co-moulded carbon resistance elements. This choice means that components offer excellent electrical and thermal stability, reliability, low noise and long life which makes them most suitable for the majority of professional applications.

The MC Series is used in the Tornado Project and is the standard single turn general purpose panel control used for most military applications in the UK and in Europe.

MEGGITT CITEC KEY FEATURES

- CERMET OR CO-MOULDED ELEMENT
- PROVEN RELIABILITY
- BS AND CECC APPROVED
- 2W RATING AT 70°C IN CERMET
- STRONG CONSTRUCTION
- SEALED TO MILITARY STANDARD
- PANEL AND CONTAINER SEALED (MC1, MH1)
- RUGGED TERMINATIONS

SPECIFICATION	MH1	MC1	MCU
---------------	-----	-----	-----

ELECTRICAL

Element Technology:	Co moulded Carbon	Cermet	Cermet
Std. Resistance	100 Ohms to 2M2	100 Ohms to 2M2	10 Ohms to 1M Ohm
Range & Laws:	Linear 1 K. Ohm to 2M2 Log	Linear	Linear
Approved Resistance	1 K. Ohm to 2M2	100 Ohms to 1 M Ohm	
Range & Laws:	Linear	Linear	
Resistance Values:	1,2,2 and 4.7 in each decade	1,2,2 and 4.7 in each decade	1,2,2 and 4.7 in each decade
Selection Tolerance:	± 20%	± 10%	± 10%
Rated Dissipation at 70°C:	0.25W Linear 0.125W Non Linear	2W	2W
Limiting Element Voltage:	250 Vdc	315 Vdc	315 Vdc
Isolation Voltage:	355 Vdc	450 Vdc	450 Vdc
Electrical Rotation:	260°	210°	210°
Terminal Resistance:	< 50 Ohms for values over 1 Kohm; < 25 Ohms for values below 1 K Ohm	< 3 Ohm	< 3 Ohms
Noise (E.N.R.):	2% of resistance	3% Max.	3 Ohms or 3%
Insulation Resistance:	> 5 G Ohms	> 5 G Ohms	> 1 G Ohms
Terminal Resistance:	500V ac peak	630V ac peak	630V ac peak

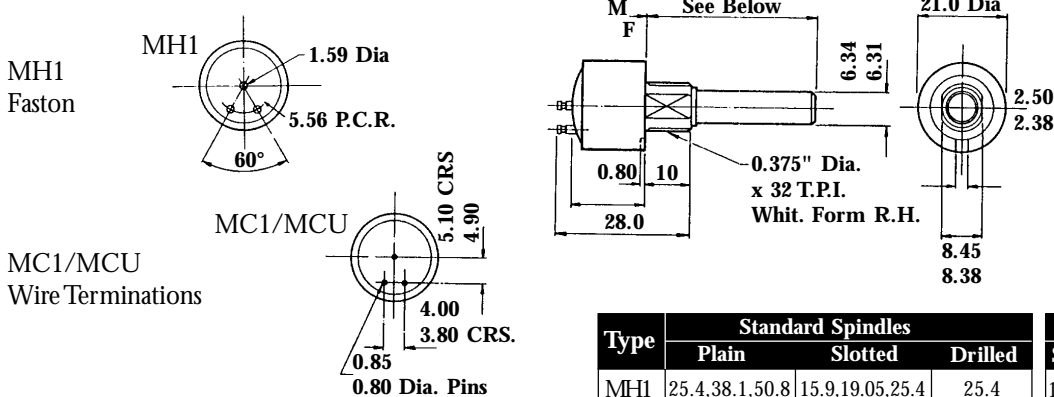
MECHANICAL

Starting Torque:	< 85 mNm	< 85 mNm	< 40 mNm
Mechanical Rotation:	300°	270°	270°
End Stop Torque:	800 mNm	800 mNm	800 mNm

ENVIRONMENTAL

Limits of Resistance Change:	15% (after 1000 hrs)	15% (after 1000 hrs)	15% (after 1000 hrs)
Temperature Coefficient:	5%	5%	5%
Bump Severity:	390 m/s ² , 4000 bumps	390 m/s ² , 4000 bumps	390 m/s ² , 4000 bumps
Vibration Severity:	10-500 Hz 98 m/s ²	10-500 Hz 98 m/s ²	10-500 Hz 98 m/s ²
Climatic Category:	40/070/56	40/070/56	40/070/56
Mechanical Endurance:	25000 operations Min.	25000 operations Min.	25000 operations Min.
Sealing:	Panel/Container sealed	Panel/Container sealed	

DIMENSIONS



Type	Standard Spindles			Spindle Details	
	Plain	Slotted	Drilled	Slotted	Drilled
MH1	25, 4, 38, 1, 50, 8	15, 9, 19, 05, 25, 4	25, 4	1.53 Deep x 1.53 Wide	Hole 3.18 Dia. 5.08 From End of Spindle
MC1	25	16, 20, 25	25		
MCU	25	16, 20, 25	25		

HOW TO ORDER

Please specify type, resistance value, tolerance, law and spindle details. Add inspection requirement where appropriate.
e.g. MH1 10K ± 10% LINEAR, PLAIN 25.4mm

We will advise an MEC Citec part number against this description



Meggitt Electronic Components Ltd. Ohmic House, Westmead Industrial Estate, Swindon, Wilts. SN5 7US
Telephone: (01793)487301 (Admin.) (01793) 611666 (Sales) Telex:449112 Citec G Fax:(01793) 610217 or 511513

This publication is issued to provide outline information only and (unless specifically agreed to the contrary by the Company in writing) is not to form part of any order or be regarded as a representation relating to the products or service concerned. We reserve the right to alter without notice the specification, design, price or conditions of supply of any product or service. Whilst Meggitt Electronic Components products are of the very highest quality and reliability, all electronic components can occasionally be subject to failure. Where failure of a Meggitt Electronic Components product could result in life threatening consequences, then the circuit and application must be discussed with the Company. Such areas might include ECG, respiratory, and other medical and nuclear applications and any non fail safe applications circuit.