

The **MLytic®+ 4-pole Filter Capacitor** series is especially engineered for use in small but excellent power and pre amplifiers as well as in innovative first class tube amplifiers.

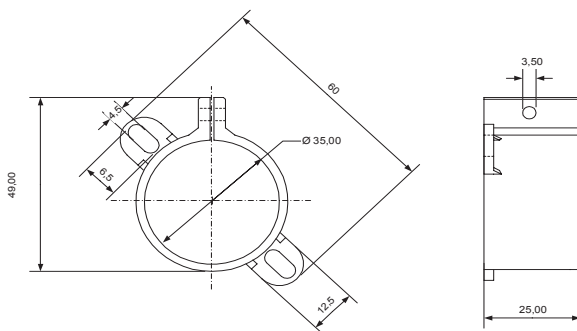
Due to their superior filter characteristics they are first choice for ambitious audio engineers. See previous page and key point **1.1.2** on page 6.

**MLGO+ • glue-on** capacitors offer non-magnetic, straight, tinned copper wires Ø 1.2mm ≈ AWG17. Additionally they own a vibration-reducing, traction-relieving, self-adhesive **Mounting Pad**.



**MLGO+**  
**Audio Grade Power Cap, Glue-On, 4Pin**

Rated Voltage [VDC]	Capacitance [µF] ±20%	Case Size Ø * L [mm]	Wire Size Ø * L [mm]	Rated Ripple Current IR~ at Tmax and 100Hz [A]	Surge Voltage [VDC]	ESR at 100 Hz [mOhm]	Tan δ @ 100Hz	Nominal Current IR for 5 Min. [µA]
550	100	35 * 55	1,2 * 9	0,6	600	1273	8	330
550	220	35 * 55	1,2 * 9	0,8	600	579	8	724
550	470	35 * 70	1,2 * 9	1,0	600	508	10	1552
160	1000	35 * 35	1,2 * 9	1,3	184	159	10	960
160	1500	35 * 40	1,2 * 9	1,5	184	127	12	1440
100	2200	35 * 35	1,2 * 9	2,1	115	65	9	1320
100	3300	35 * 40	1,2 * 9	2,6	115	43	9	1980
100	4700	35 * 60	1,2 * 9	3,7	115	30	9	2820
80	6800	35 * 40	1,2 * 9	2,9	92	35	15	3264
80	10000	35 * 50	1,2 * 9	3,4	92	32	20	4800
63	15000	35 * 60	1,2 * 9	3,5	72	29	27	5670
63	22000	35 * 70	1,2 * 9	4,9	72	20	27	8316



**MPSA**  
**3M Mounting Pad, self-adhesive**

Capacitor Ø [mm]	pc [€]
25	
30	
35	

**MCNV**  
**Mounting Clamp, nylon, vertical, black**

Capacitor Ø [mm]	pc [€]
35	1,49
40	1,99
50	2,49
65	2,99
75	3,99