

FURUTECH

PURE TRANSMISSION

AEx

オーディオ銘機賞
Audio Excellence Award 2008



FT-210 Terminal Fully Insulated Pure copper Female Disconnect

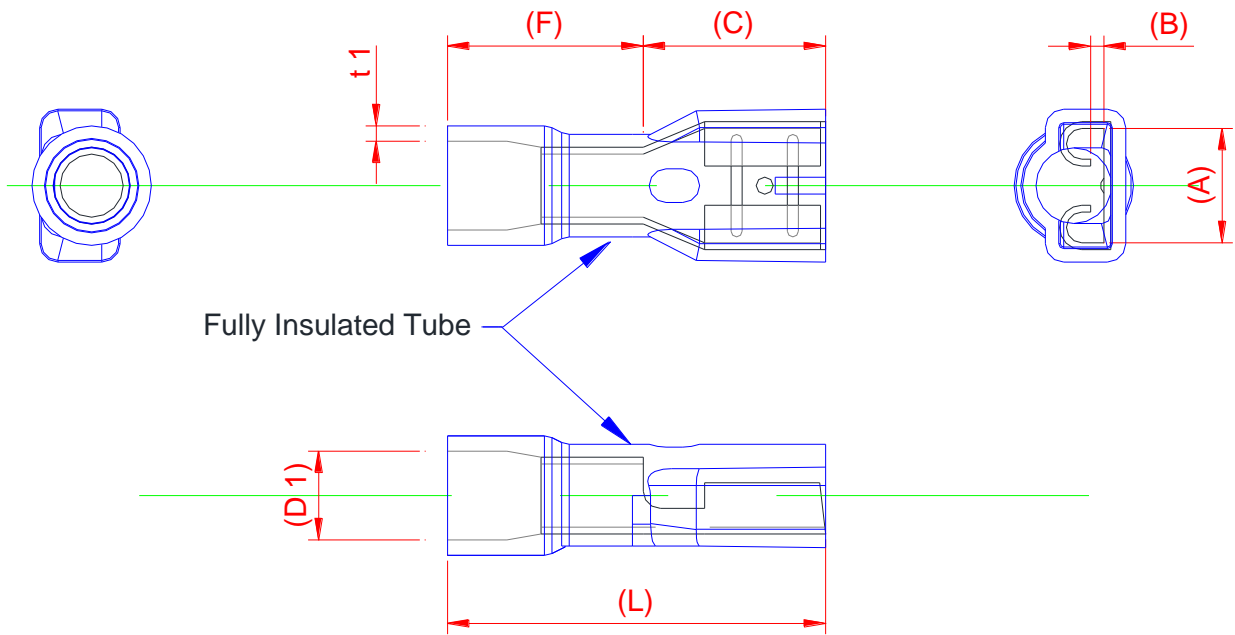
Features:

- The Furutech FT-210 Fully Insulated Female Disconnect Terminal using 24k Gold-plated α (Alpha) pure copper conductor.
- Suitable TAB Size: 0.250 X 0.032 " / 6.35 X 0.8 mm.
- Suitable Wire Size: FT-210---5.5 sq. mm max. (12~10 AWG)
- Insulated Tube: RoHS Compliant high mechanical strength PolySulfone resin (Yellow).
- The extraction force: 5.0 kgf (49N) approx
- Rhodium plated version by request.
- Package: 10 pcs / set.

	<p>If the extraction force weakens to restore the gripping force, simply use nipper pliers to press both sides of terminal (Shown on left side image)</p>
	<p>Strip around 0.5cm the insulation layer from the wire. Insert the wire into FT-210 just up to the level of the hole (not past the hole) Image shown on left side</p>

A (Alpha) conductor is the fine pure copper conductor treated with the α (Alpha) process.

Dimensions :



Unit: mm

Location	(A)	(B)	(C)	(F)	(L)	(D 1)	(t 1)	Tube Color
Item No.								
FT-210	6.5 +0.15 -0.1	0.78 ±0.05	10.5	12.0	22.5	5.5	0.9	Yellow

All metallic parts are treated with the

**FURUTECH α (Alpha) Process (Super Cryogenic & Demagnetizing Treatment.)*

FURUTECH CO., LTD.
service@furutech.com

Make A More Powerful Connection With Furutech!