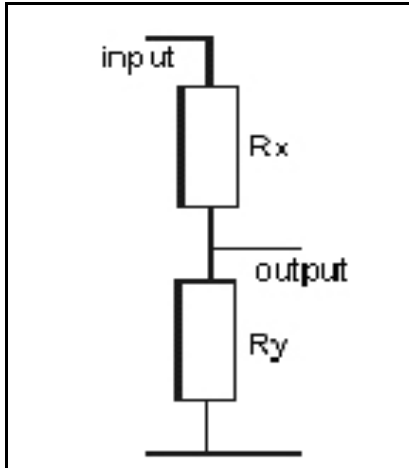


Hificallective`s Glasshouse resistors values for our ladder type of stepped attenuators - 10K, 25K, 50K, 100K and 250K listed



Please note that ideal resistor values are listed. So when we select the resistors we select the nearest value. The small adjustments in resistor values are not sonically noticeable. The Elma and Chinese blue are 24 way switches, whereas the Seiden are 23 way switches

HiFiCollective			
10K Ladder Network 23-Step			
Resistors			
Step	Rx	Ry	Attenuation (dB)
1	10K	0R	Infinity
2	10K	3R	71
3	10K	6R	65
4	10K	11R	59
5	10K	22R	53
6	10K	40R	48
7	9K9	71R	43
8	9K9	112R	39
9	9K8	178R	35
10	9K7	251R	32
11	9K6	355R	29
12	9K5	501R	26
13	9K3	708R	23
14	9K	1K	20
15	8K6	1K4	17
16	8K	2K	14
17	7K5	2K5	12
18	6K8	3K2	10
19	6K	4K	8
20	5K	5K	6
21	3K7	6K3	4
22	2K	8K	2
23	0R	10K	0

HiFiCollective			
25K Ladder Network 23-Step			
Resistors			
Step	Rx	Ry	Attenuation (dB)
1	25K	0R	Infinity
2	25K	7R	71
3	25K	14R	65
4	25K	28R	59
5	25K	56R	53
6	25K	100R	48
7	25K	177R	43
8	25K	281R	39
9	25K	445R	35
10	24K	628R	32
11	24K	887R	29
12	24K	1K3	26
13	23K	1K8	23
14	23K	2K5	20
15	22K	3K5	17
16	20K	5K	14
17	19K	6K3	12
18	17K	7K9	10
19	15K	10K	8
20	13K	12K	6
21	9K2	16K	4
22	5K1	20K	2
23	0R	25K	0

HiFiCollective 50K Ladder Network 23-Step			
Resistors			
Step	Rx	Ry	Attenuation (dB)
1	50K	0R	Infinity
2	50K	14R	71
3	50K	28R	65
4	50K	56R	59
5	50K	112R	53
6	50K	199R	48
7	50K	354R	43
8	49K	561R	39
9	49K	889R	35
10	49K	1K3	32
11	48K	1K8	29
12	47K	2K5	26
13	46K	3K5	23
14	45K	5K	20
15	43K	7K1	17
16	40K	10K	14
17	37K	13K	12
18	34K	16K	10
19	30K	20K	8
20	25K	25K	6
21	18K	32K	4
22	10K	40K	2
23	0R	50K	0

HiFiCollective 100K Ladder Network 23-Step			
Resistors			
Step	Rx	Ry	Attenuation (dB)
1	100K	0R	Infinity
2	100K	28R	71
3	100K	56R	65
4	100K	112R	59
5	100K	224R	53
6	100K	398R	48
7	99K	708R	43
8	99K	1K1	39
9	98K	1K8	35
10	97K	2K5	32
11	96K	3K5	29
12	95K	5K	26
13	93K	7K	23
14	90K	10K	20
15	86K	14K	17
16	80K	20K	14
17	75K	25K	12
18	68K	32K	10
19	60K	40K	8
20	50K	50K	6
21	37K	63K	4
22	21K	79K	2
23	0R	100K	0

HiFiCollective 250K Ladder Network 23-Step			
Resistors			
Step	Rx	Ry	Attenuation (dB)
1	250K	0R	Infinity
2	250K	70R	71
3	250K	141R	65
4	250K	281R	59
5	249K	560R	53
6	249K	995R	48
7	278K	1K8	43
8	247K	2K8	39
9	246K	4K4	35
10	244K	6K3	32
11	241K	8K9	29
12	237K	13K	26
13	232K	18K	23
14	225K	25K	20
15	215K	35K	17
16	200K	50K	14
17	187K	63K	12
18	171K	79K	10
19	150K	100K	8
20	125K	125K	6
21	92K	158K	4
22	51K	200K	2
23	0R	250K	0

HiFiCollective 10K Ladder Network 24-Step			
Resistors			
Step	Rx	Ry	Attenuation (dB)
1	10K	0R	Infinity
2	10K	2R	75
3	10K	4R	69
4	10K	7R	63
5	10K	13R	58
6	10K	22R	53
7	10K	40R	48
8	9K9	71R	43
9	9K9	112R	39
10	9K8	178R	35
11	9K7	251R	32
12	9K6	355R	29
13	9K5	501R	26
14	9K3	708R	23
15	9K	1K	20
16	8K6	1K4	17
17	8K	2K	14
18	7K5	2K5	12
19	6K8	3K2	10
20	6K	4K	8
21	5K	5K	6
22	3K7	6K3	4
23	2K	8K	2
24	0R	10K	0

HiFiCollective 25K Ladder Network 24-Step			
Resistors			
Step	Rx	Ry	Attenuation (dB)
1	25K	0R	Infinity
2	25K	4R	75
3	25K	9R	69
4	25K	18R	63
5	25K	31R	58
6	25K	56R	53
7	25K	100R	48
8	25K	177R	43
9	25K	281R	39
10	25K	445R	35
11	24K	628R	32
12	24K	887R	29
13	24K	1K3	26
14	23K	1K8	23
15	23K	2K5	20
16	21K	3K5	17
17	20K	5K	14
18	19K	6K3	12
19	17K	7K9	10
20	15K	10K	8
21	12K	13K	6
22	9K2	16K	4
23	5K1	20K	2
24	0R	25K	0

HiFiCollective 50K Ladder Network 24-Step			
Resistors			
Step	Rx	Ry	Attenuation (dB)
1	50K	0R	Infinity
2	50K	9R	75
3	50K	18R	69
4	50K	35R	63
5	50K	63R	58
6	50K	112R	53
7	50K	199R	48
8	50K	354R	43
9	49K	561R	39
10	49K	889R	35
11	49K	1K3	32
12	48K	1K8	29
13	47K	2K5	26
14	46K	3K5	23
15	45K	5K	20
16	43K	7K	17
17	40K	10K	14
18	37K	13K	12
19	34K	16K	10
20	30K	20K	8
21	25K	25K	6
22	18K	32K	4
23	10K	40K	2
24	0R	50K	0

HiFiCollective 100K Ladder Network 24-Step			
Resistors			
Step	Rx	Ry	Attenuation (dB)
1	100K	0R	Infinity
2	100K	18R	75
3	100K	35R	69
4	100K	71R	63
5	100K	126R	58
6	100K	224R	53
7	100K	398R	48
8	99K	708R	43
9	99K	1K1	39
10	98K	1K8	35
11	97K	2K5	32
12	96K	3K5	29
13	95K	5K	26
14	93K	7K1	23
15	90K	10K	20
16	86K	14K	17
17	80K	20K	14
18	75K	25K	12
19	68K	32K	10
20	60K	40K	8
21	50K	50K	6
22	37K	63K	4
23	21K	79K	2
24	0R	100K	0

HiFiCollective 250K Ladder Network 24-Step			
Resistors			
Step	Rx	Ry	Attenuation (dB)
1	250K	0R	Infinity
2	250K	44R	75
3	250K	89R	69
4	250K	177R	63
5	250K	315R	58
6	249K	560R	53
7	249K	995R	48
8	248K	1K8	43
9	247K	2K8	39
10	246K	4K4	35
11	244K	6K3	32
12	241K	8K9	29
13	237K	13K	26
14	232K	18K	23
15	225K	25K	20
16	215K	35K	17
17	200K	50K	14
18	187K	63K	12
19	171K	79K	10
20	150K	100K	8
21	125K	125K	6
22	92K	158K	4
23	51K	199K	2
24	0R	250K	0