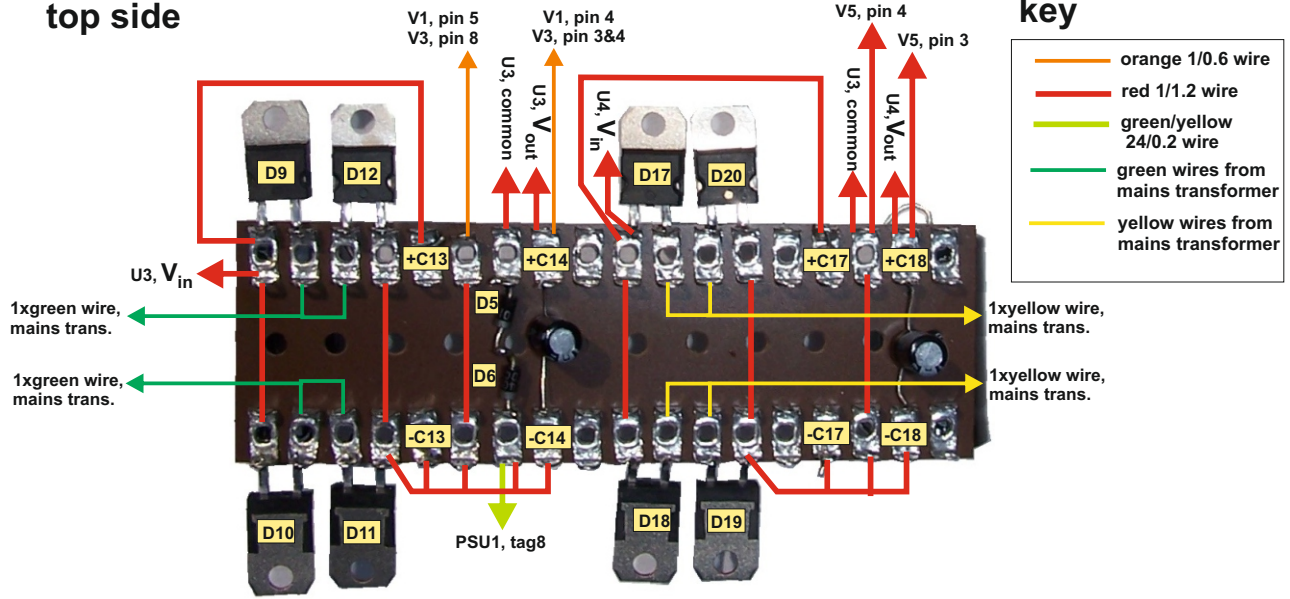


power supply unit tag board No. 4 (PSU4)

top side



key

- orange 1/0.6 wire
- red 1/1.2 wire
- green/yellow 24/0.2 wire
- green wires from mains transformer
- yellow wires from mains transformer

under side

