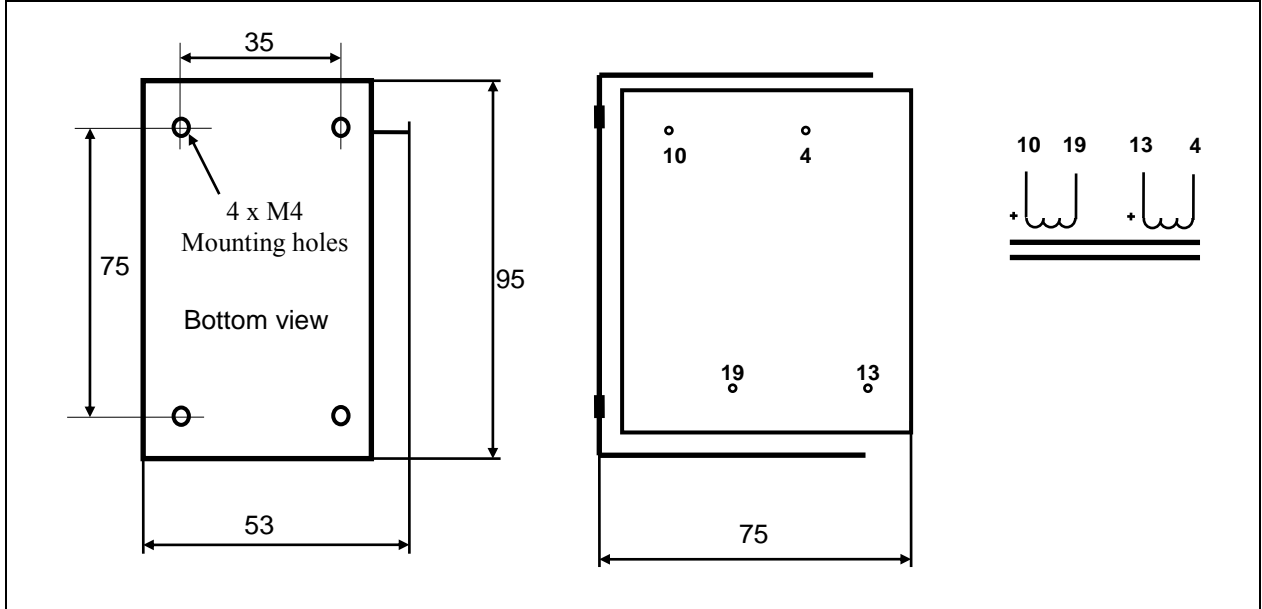


Filament Current Choke LL2733

The LL2733 is a 2 coil choke for tube/valve filament current filtering.
The coil is wound using our standard high internal isolation technique with isolation foil between each copper layer. The core is an audio C-core of our own production.

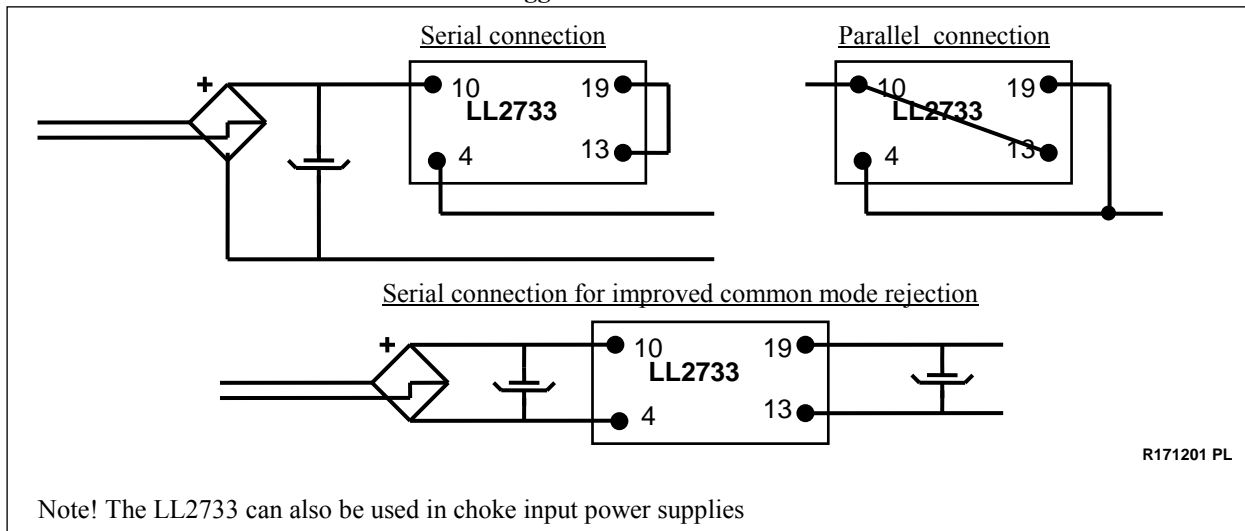
Winding schematics, physical dimensions, pin and mounting hole layout (all dimensions in mm)



Weight: 1.35 kg
 Static resistance of each winding: 1.7 Ω
 Max current through each winding (10W heat dissipation): 1.7 A
 Isolation between windings / between windings and core: 4 kV / 2 kV

Type	Coils in series			Coils in parallel		
	Approx. Inductance	Recommended DC current (1.25 T)	Saturating current (2.0 T)	Approx. Inductance	Recommended DC current (1.25 T)	Saturating current (2.0 T)
LL2733 / 1.7A	0.4 H	1.7 A	2.7 A	0.1 H	3.4 A	5.4 A
Max. ripple voltage at rec. DC current (Ripple voltage is approx. 0.42 x input voltage)	120 V rms / 100 Hz			60 V rms / 100 Hz		

Suggested connections:



R171201 PL

Note! The LL2733 can also be used in choke input power supplies