

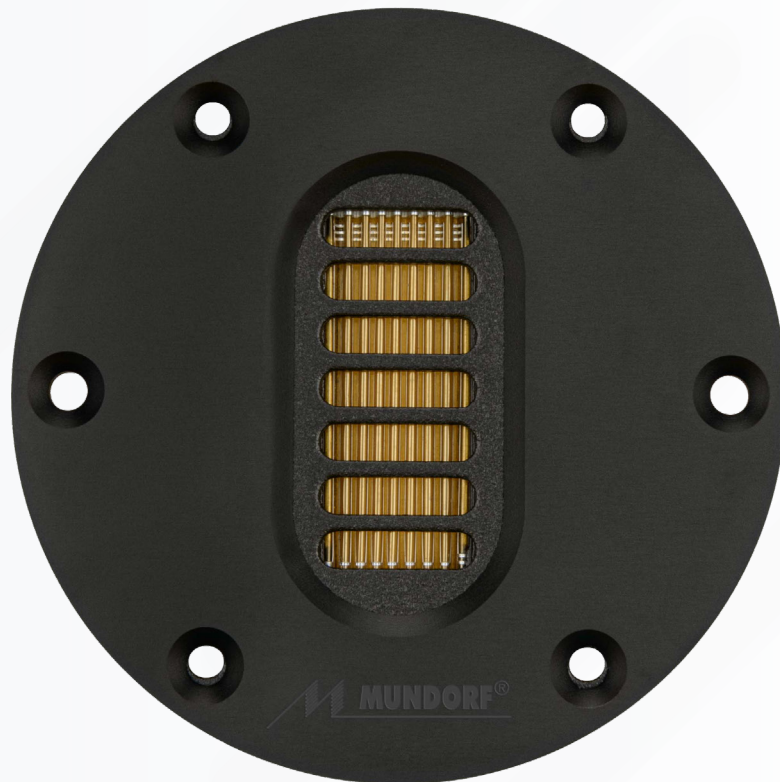
AMT U60W1.1-C

Tweeter

Samples available: Immediately

Start of sale: Immediately

AMT U60W1.1 and **AMT U80W1.1** could be described as the small and the large all-rounder of this product range. Both can be used in small or medium 2-way and 3-way systems. **AMT U60W1.1** offers a slightly larger vertical radiation angle. So it's ideally suited for situations with a short listening distance. Both convince with the decisive quality features of the **AMT U.Series** with **Mundorf diaphragm**: Exceptionally low K3 / K5 distortion data, a truly powerful music performance within the entire application range and, at the same time, the fine micro-dynamics and richness of music details that distinguish all **Mundorf AMT's**.



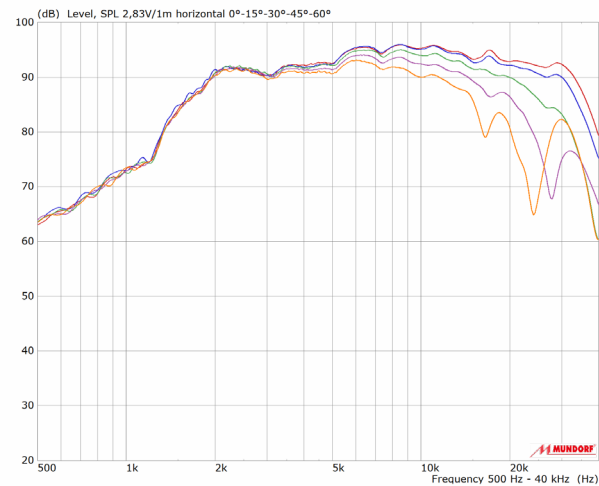
Specifications

Nominal Impedance	4 Ω
DC Resistance (R_{dc}) (Z_{min})	4.0 Ω
Sensitivity (2,83 V / 1m) ¹	93 dB
Resonance Frequency (FS)	2350 Hz
Frequency Response (-6dB)	2.1 kHz - 34 kHz
Frequency Response (-10dB) ¹	1.8 kHz - 36 kHz
Crossover from (filter 12dB/6dB/Oct.)	2.2 kHz / 3.3 kHz
Nominal Frequency Range ³	2.5 kHz - 34 kHz
Power Handling, long term ^{1,2}	10 W _{rms}
Power Handling, short term ^{1,2}	70 W _{rms}
Max. Input Voltage, long term ^{1,2}	6.3 V _{rms}
Max. Input Voltage, short term ^{1,2}	16.4 V _{rms}
Effective Piston Area	20.1 cm ²
Total Weight	0.254 kg
Face Plate	optional

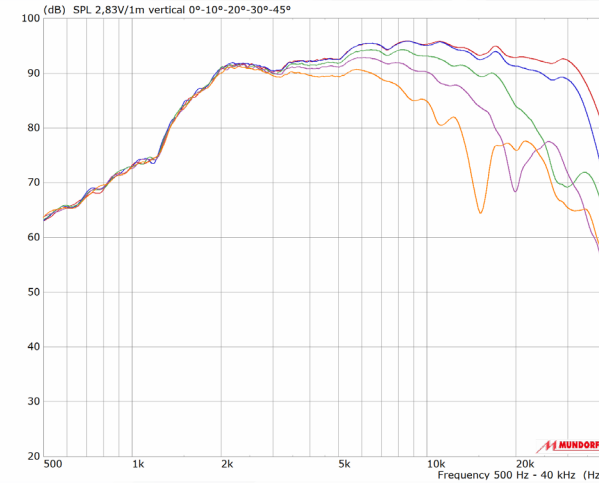
- 1) according to IEC 60268-5
 2) via High Pass Filter, Butterworth 2500 Hz 12 dB/Okt.
 3) according to power measurement

Measurements

SPL Horizontal 0° - 15° - 30° - 45° - 60°

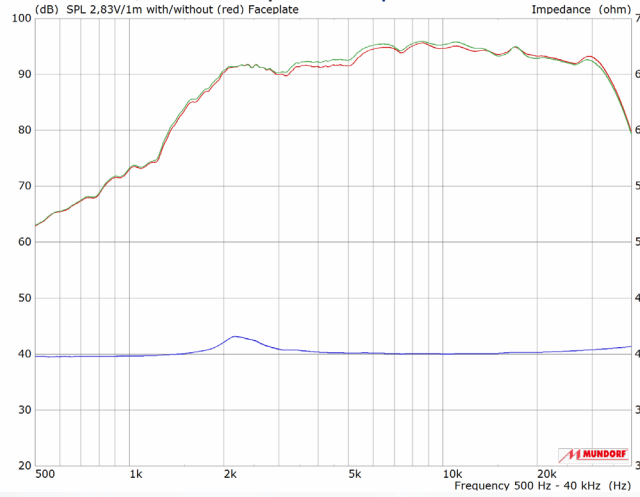


SPL Vertical 0° - 10° - 20° - 30° - 45°

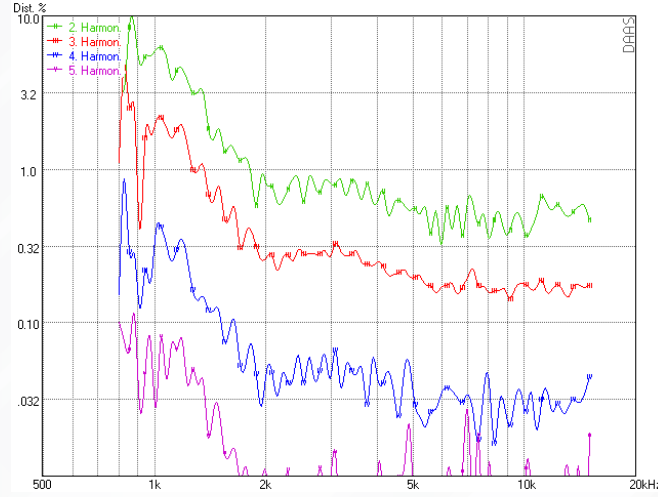


Measurements

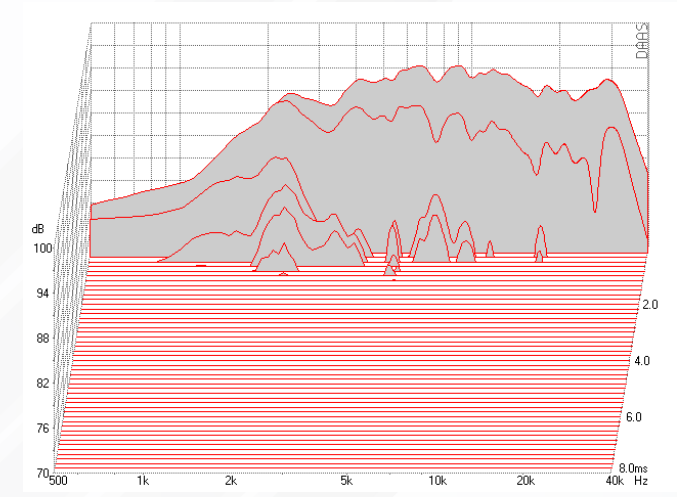
SPL without / with Faceplate - Impedance



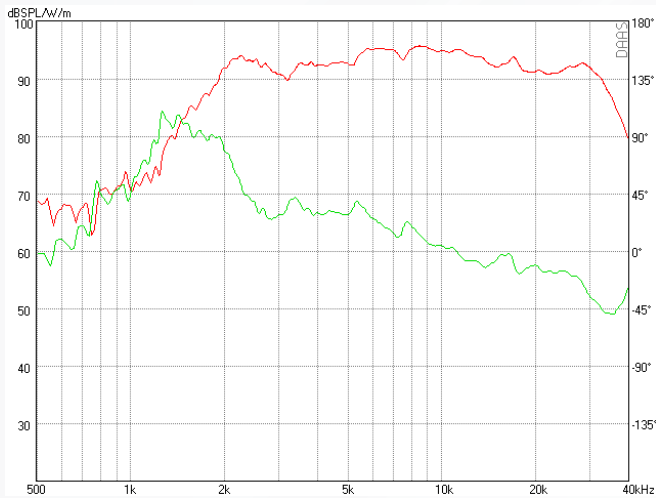
Harmonic Distortion 2.83 V



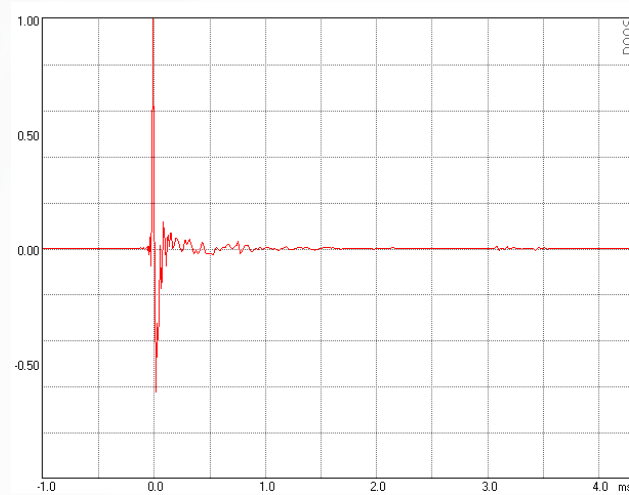
Waterfall



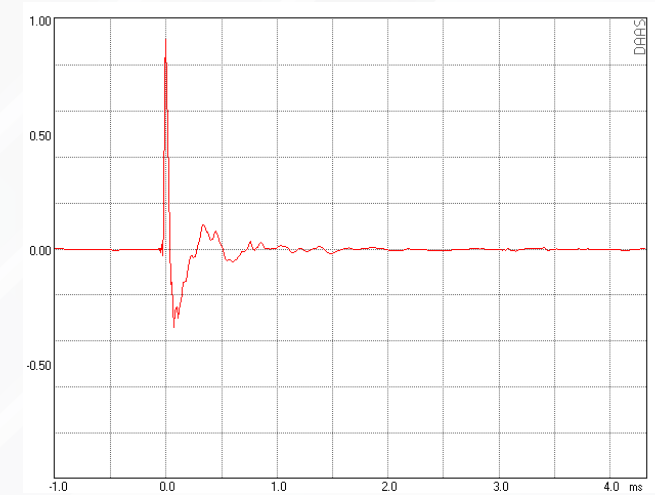
SPL - Phase



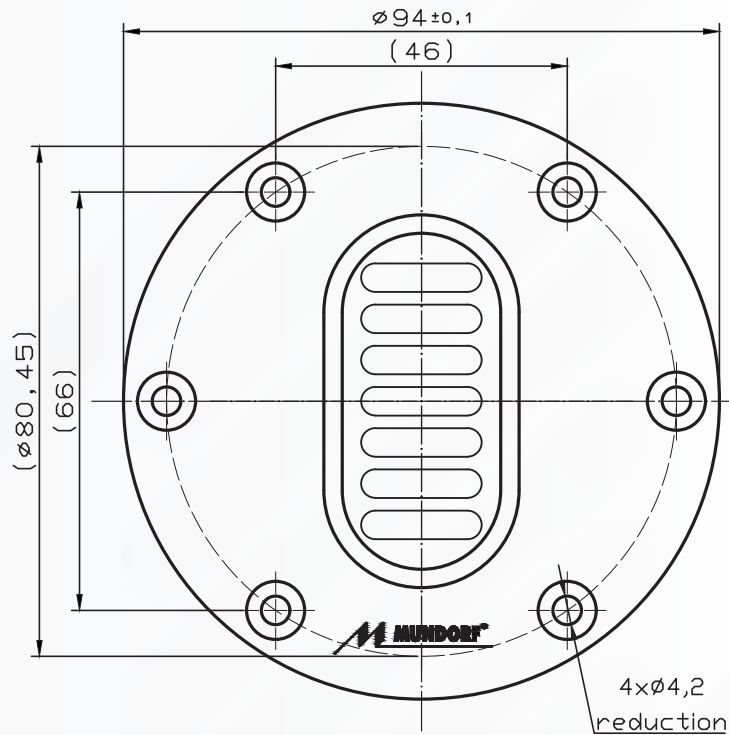
Impulse Response



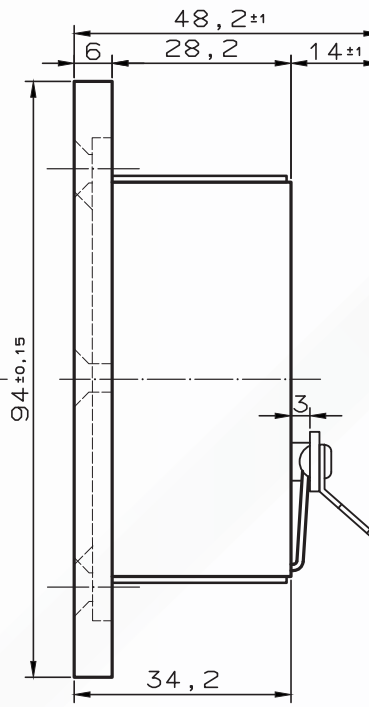
Step Response



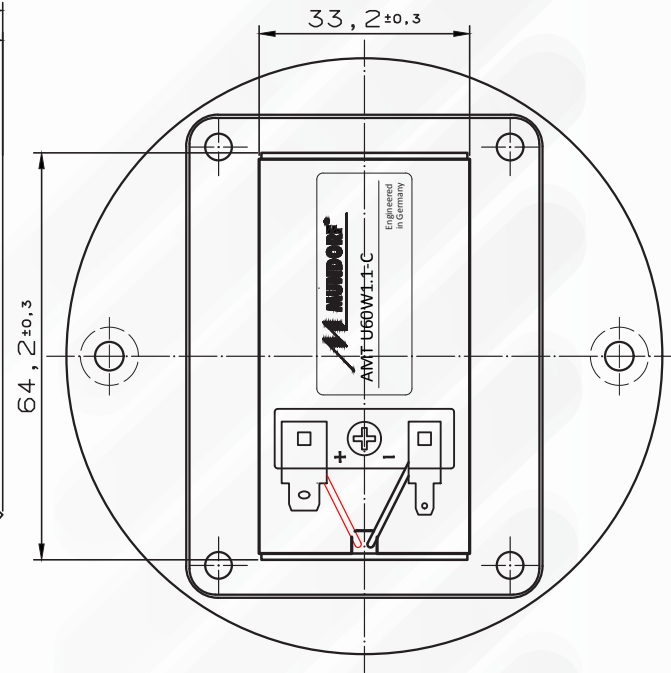
Dimensions



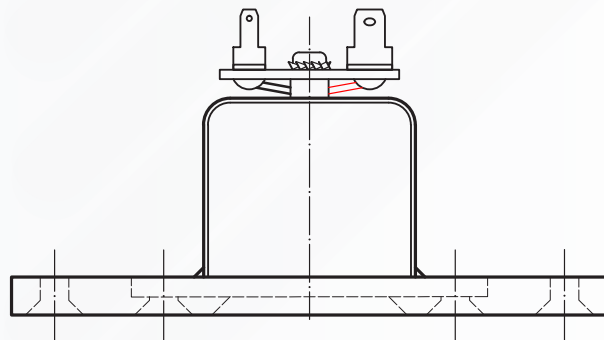
Front view



Sideview

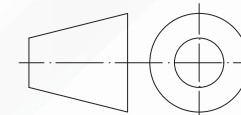


Rear view



Top view

	Dimensions	Tolerance
Diameter	94 mm	+ / - 0,1 mm
Depth including terminal	55 mm	+ / - 1 mm



All measurements are in mm.