

Line Output Transformer for Tube Amplifiers LL1630

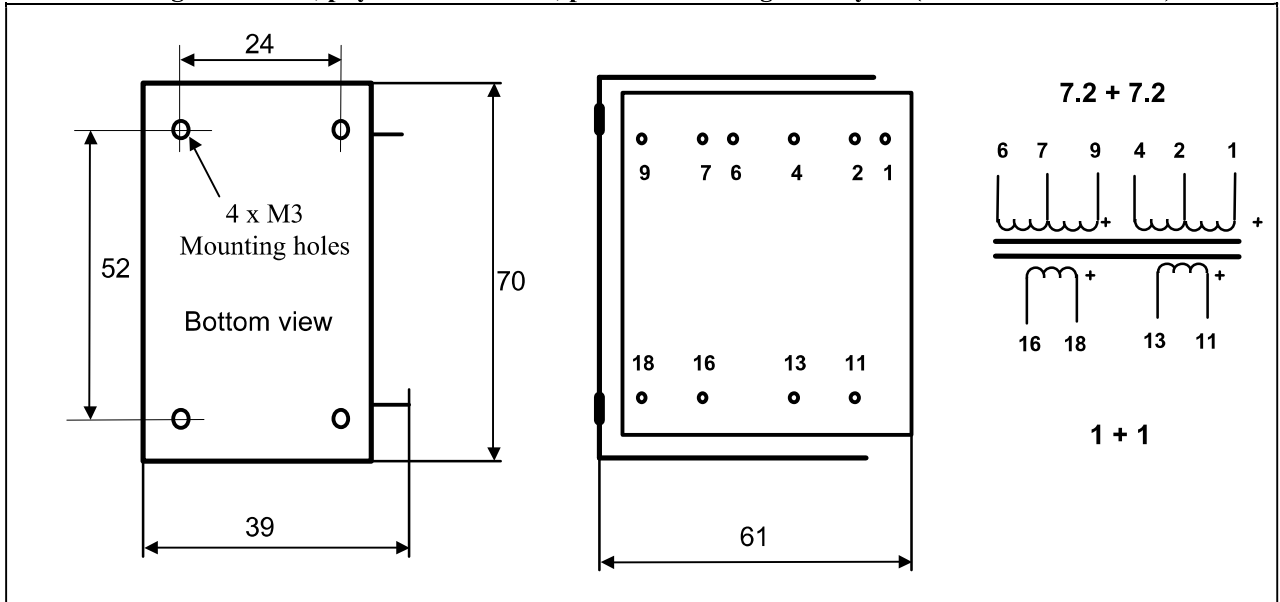
LL1630 is a line output transformer for tube amplifiers.

The transformer is highly sectioned, and wound with a special low capacitance winding technique. This results in very good high frequency performance. The transformer has a special audio C-core of our own production.

Turns ratio:

7.2 + 7.2 : 1+1

Winding schematics, physical dimensions, pin and mounting hole layout (all dimensions in mm)



Static resistance of each primary (average)

LL1630 / 5mA

480 Ω

LL1630 P-P

480 Ω

Static resistance of each secondary (average)

14 Ω

14 Ω

Primary DC current, primaries in series (For $B_0 = 0.9$ T)

5 mA

Maximum DC current before core saturation, primaries in series

9 mA

Max standing DC current through any primary section

40mA

40mA

Primary inductance (primaries in series)

130 H

> 300H

Frequency response @ 0 dBU output level

10 Hz - 40 KHz

5 Hz - 40 KHz

(Source 2 kΩ, load 600Ω. Primaries terminated as suggested below)

+/- 0.5 dB

+/- 0.5 dB

Max. output level at 30 Hz (Secondaries in series)

18 V rms

45 V rms

Weight

0.5 kg

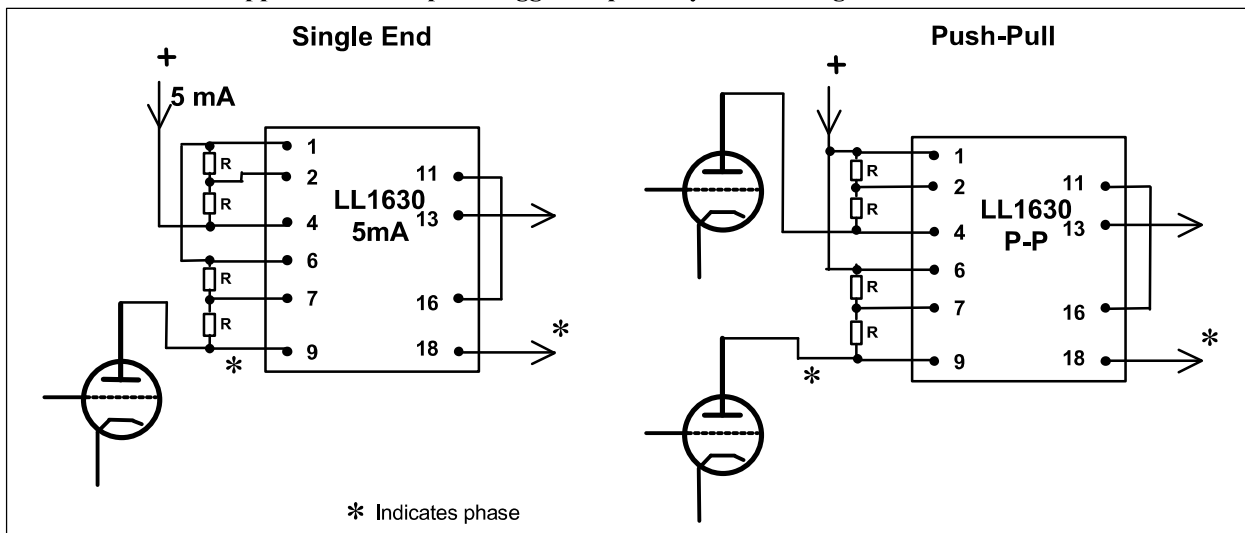
0.5 kg

Isolation between primary and secondary windings / between windings and core

4 kV / 2 kV

4 kV / 2 kV

Application examples. Suggested primary terminating resistors 10 k each.



* Indicates phase