

AB LARS LUNDAHL

Tibeliusgatan 7
S-761 50 NORRTÄLJE
SWEDEN

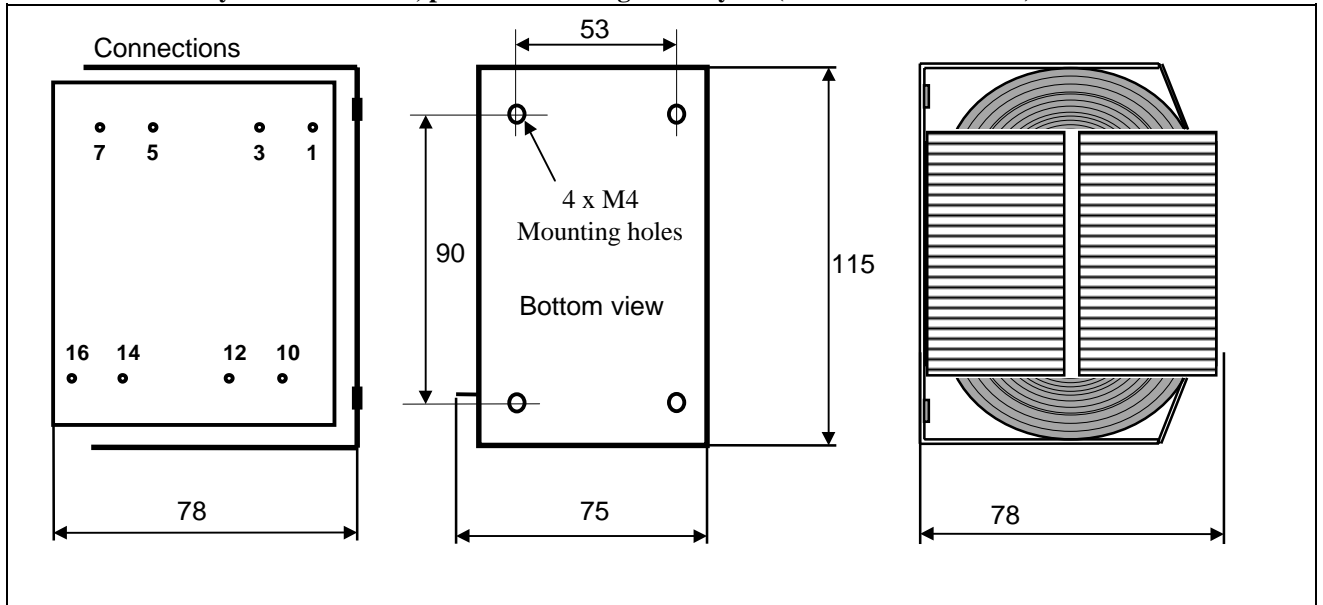
Phone: Int. +46-176 139 30
Nat. 0176-139 30

Fax: Int. +46-176 139 35
Nat. 0176-139 35

Mains Isolation Transformer LL1655

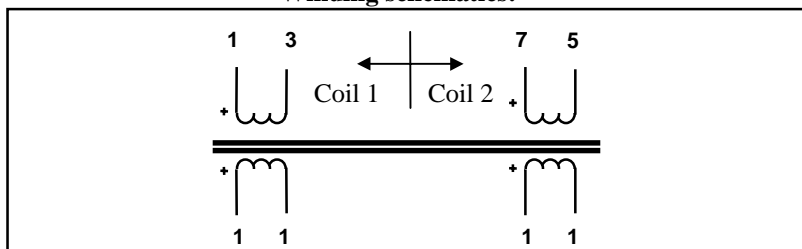
LL1650 is a C-core mains transformers for isolation and DC current elimination. The core is assembled with a carefully selected, very small air-gap to compensate for any mains DC-unbalance. Estimated power rating 300 VA which can be increased with good cooling.

Physical dimensions, pin and mounting hole layout (all dimensions in mm)



Weight:	2.5 kg
Copper resistance, windings 1 - 3 and 7 - 5 respectively	3.3 Ω
Copper resistance, windings 10 - 12 and 14 - 16 respectively	2.9 Ω
Isolation between windings / between windings and core	4 kV / 4 kV

Winding schematics:



Suggested use:

