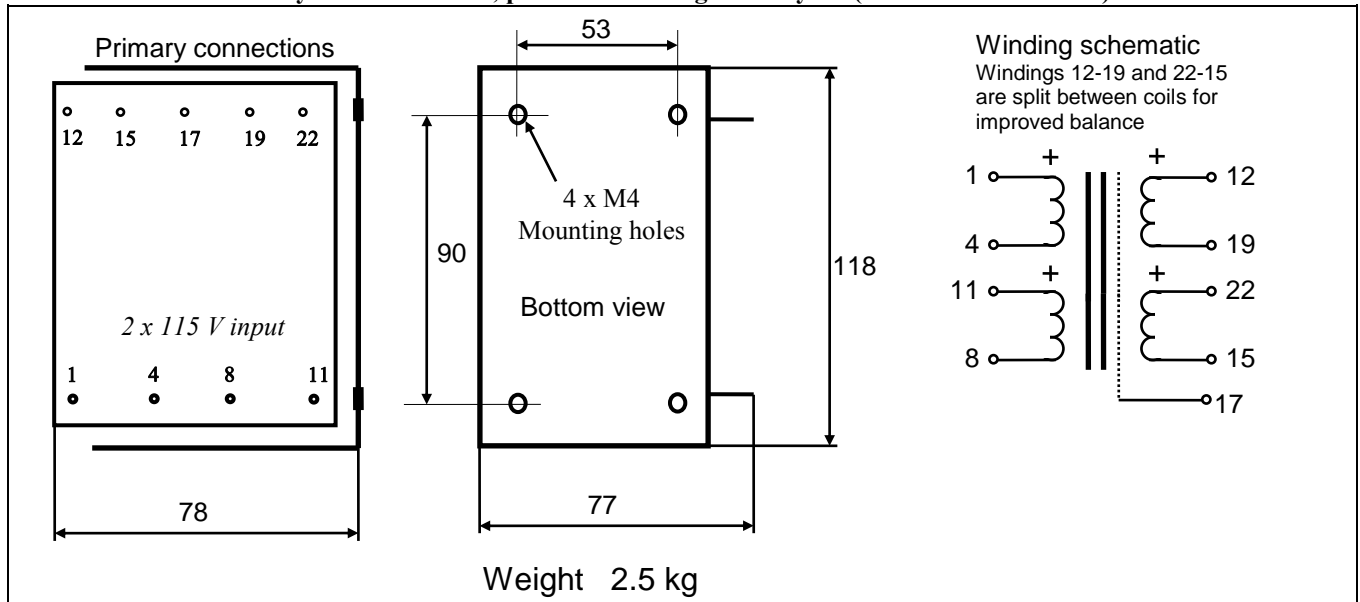


## Mains Transformers LL2760

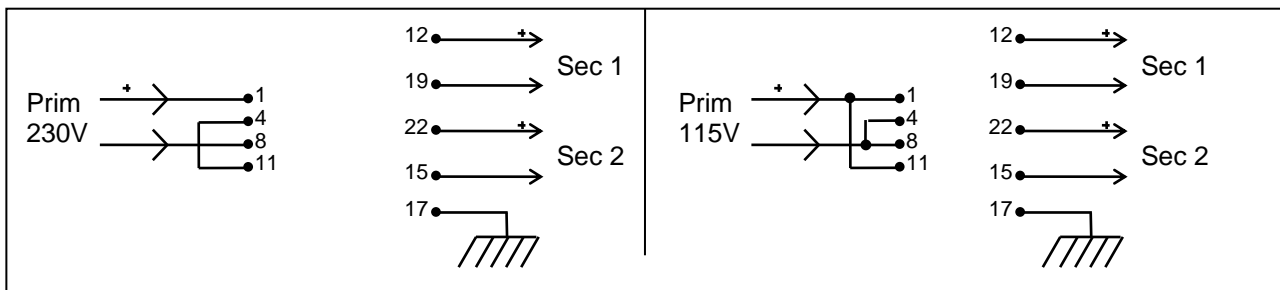
C-core mains transformer for 2 x 115V / 0.9A . The core is assembled with a small air-gap to compensate for any mains DC-unbalance. Estimated power rating 200 VA (heat dissipation 11W) which can be increased with good cooling. Magnetic stray is extremely small due to the dual coil structure. A Faraday shield is provided between primary and secondary windings to improve immunity from mains HF noise.

Turns ratio: 1 + 1 : 1 + 1

Physical dimensions, pin and mounting hole layout (all dimensions in mm)



Connection alternatives. Primary in series for 230V (left) and in parallel for 115V (right).



Copper resistance, no load output voltages and max recommended transformer current (rms) with primary connected to 230 V serial / 115V parallel

Primary res. Serial/parallel	Sec 1	Sec 2
7 Ω / 1.7 Ω	4.1 Ω / 115 V 0.9 A	3.9 Ω / 115 V 0.9 A

Voltage will drop approx 6% at nominal current