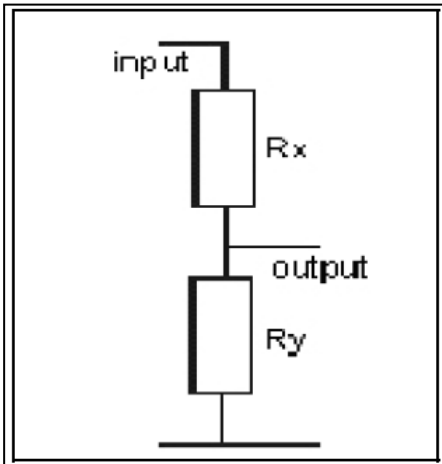


Hificollective`s Glasshouse resistors values for our 23 & 24 step series/shunt type of stepped attenuators, - 10K, 25K, 50K,100K & 250K



Please note that ideal resistor values are listed. So when we select the resistors we select the nearest value. The small adjustments in resistor values are not sonically noticeable. The Elma and Chinese blue are 24 way switches, whereas the Seiden are 23 way switches

HiFiCollective		
10K Shunt Network 23-Step		
Input Resistor (Rx):	10K	
Step	Resistor (Ry)	Attenuation (dB)
1	0R	Infinity
2	2R7	71
3	5R6	65
4	11R	59
5	22R	53
6	39R	48
7	75R	43
8	110R	39
9	180R	35
10	240R	32
11	360R	29
12	510R	26
13	750R	23
14	1K1	20
15	1K6	17
16	2K4	14
17	3K3	12
18	4K7	10
19	6K8	8
20	10K	6
21	18K	4
22	39K	2
23	Infinity	0

HiFiCollective		
25K Shunt Network 23-Step		
Input Resistor (Rx):	25K	
Step	Resistor (Ry)	Attenuation (dB)
1	0R	Infinity
2	6R8	71
3	14R	65
4	27R	59
5	56R	53
6	100R	48
7	180R	43
8	270R	39
9	470R	35
10	620R	32
11	910R	29
12	1K3	26
13	1K8	23
14	2K7	20
15	4K3	17
16	6K2	14
17	8K2	12
18	12K	10
19	16K	8
20	24K	6
21	43K	4
22	100K	2
23	Infinity	0

HiFiCollective		
50K Shunt Network 23-Step		
Input Resistor (Rx):		50K
Step	Resistor (Ry)	Attenuation (dB)
1	0R	Infinity
2	15R	71
3	27R	65
4	56R	59
5	110R	53
6	200R	48
7	360R	43
8	560R	39
9	910R	35
10	1K3	32
11	1K8	29
12	2K7	26
13	3K9	23
14	5K6	20
15	8K2	17
16	12K	14
17	16K	12
18	24K	10
19	33K	8
20	51K	6
21	82K	4
22	180K	2
23	Infinity	0

HiFiCollective		
100K Shunt Network 23-Step		
Input Resistor (Rx):		100K
Step	Resistor (Ry)	Attenuation (dB)
1	0R	Infinity
2	27R	71
3	56R	65
4	110R	59
5	220R	53
6	390R	48
7	750R	43
8	1K1	39
9	1K8	35
10	2K4	32
11	3K6	29
12	5K1	26
13	7K5	23
14	11K	20
15	16K	17
16	24K	14
17	33K	12
18	47K	10
19	68K	8
20	100K	6
21	180K	4
22	390K	2
23	Infinity	0

HiFiCollective		
250K Shunt Network 23-Step		
Input Resistor (Rx):		250K
Step	Resistor (Ry)	Attenuation (dB)
1	0R	Infinity
2	68R	71
3	140R	65
4	270R	59
5	560R	53
6	1K	48
7	1K8	43
8	2K7	39
9	4K7	35
10	6K2	32
11	9K1	29
12	13K	26
13	18K	23
14	27K	20
15	43K	17
16	62K	14
17	82K	12
18	120K	10
19	160K	8
20	240K	6
21	430K	4
22	1M	2
23	Infinity	0

HiFiCollective		
10K Shunt Network 24-Step		
Input Resistor (Rx):	10K	
Step	Resistor (Ry)	Attenuation (dB)
1	0R	Infinity
2	2R	75
3	3R6	69
4	6R8	63
5	13R	58
6	22R	53
7	39R	48
8	68R	43
9	110R	39
10	180R	35
11	270R	32
12	360R	29
13	510R	26
14	750R	23
15	1K1	20
16	1K6	17
17	2K4	14
18	3K3	12
19	4K7	10
20	6K8	8
21	10K	6
22	18K	4
23	36K	2
24	Infinity	0

HiFiCollective		
25K Shunt Network 24-Step		
Input Resistor (Rx):	25K	
Step	Resistor (Ry)	Attenuation (dB)
1	0R	Infinity
2	4R	75
3	9R	69
4	18R	63
5	33R	58
6	56R	53
7	100R	48
8	180R	43
9	270R	39
10	470R	35
11	620R	32
12	910R	29
13	1K3	26
14	1K8	23
15	2K7	20
16	4K3	17
17	6K2	14
18	8K2	12
19	12K	10
20	16K	8
21	24K	6
22	43K	4
23	100K	2
24	Infinity	0

HiFiCollective		
50K Shunt Network 24-Step		
Input Resistor (Rx):	50K	
Step	Resistor (Ry)	Attenuation (dB)
1	0R	Infinity
2	9R1	75
3	18R	69
4	36R	63
5	62R	58
6	110R	53
7	200R	48
8	360R	43
9	560R	39
10	910R	35
11	1K3	32
12	1K8	29
13	2K7	26
14	3K9	23
15	5K6	20
16	8K2	17
17	12K	14
18	18K	12
19	24K	10
20	33K	8
21	51K	6
22	91K	4
23	200K	2
24	Infinity	0

HiFiCollective		
100K Shunt Network 24-Step		
Input Resistor (Rx):	100K	
Step	Resistor (Ry)	Attenuation (dB)
1	0R	Infinity
2	18R	75
3	36R	69
4	68R	63
5	130R	58
6	220R	53
7	390R	48
8	680R	43
9	1K1	39
10	1K8	35
11	2K4	32
12	3K6	29
13	5K1	26
14	7K5	23
15	11K	20
16	16K	17
17	24K	14
18	33K	12
19	47K	10
20	68K	8
21	100K	6
22	180K	4
23	390K	2
24	Infinity	0

HiFiCollective		
250K Shunt Network 24-Step		
Input Resistor (Rx):	250K	
Step	Resistor (Ry)	Attenuation (dB)
1	0R	Infinity
2	44R	75
3	91R	69
4	180R	63
5	330R	58
6	560R	53
7	1K	48
8	1K8	43
9	2K7	39
10	4K7	35
11	6K2	32
12	9K1	29
13	13K	26
14	18K	23
15	27K	20
16	43K	17
17	62K	14
18	82K	12
19	120K	10
20	160K	8
21	240K	6
22	430K	4
23	1M	2
24	Infinity	0